

SHOWPRO

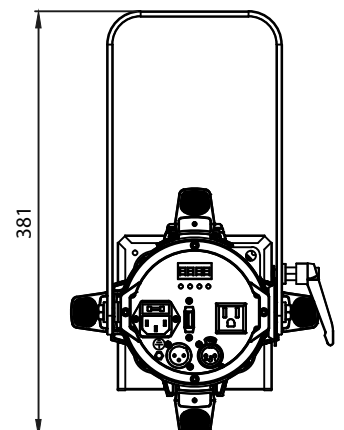
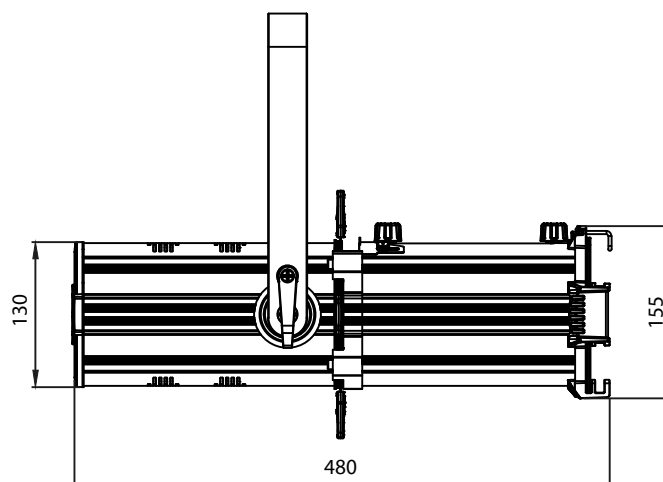
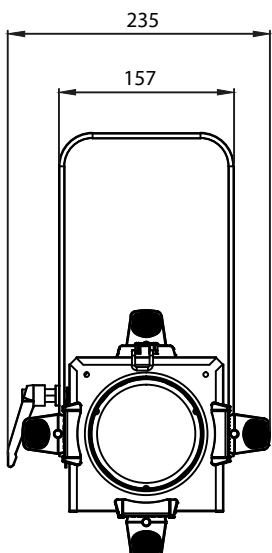
pharos jnr



LEDNIT131

Compact LED profile with integrated zoom, featuring:

- 19° - 36° zoom for convenient versatility across many applications
- Crisp gobo image projection, even at close range
- Extremely flat field projection
- Gel frame brackets and retaining clip included
- Flicker-free output for worry-free video
- Quiet operation suitable for studio use
- Rugged die-cast body and low-maintenance design
- Power In and Out connections for linking multiple units
- Flawless dimming with consistent colour temperature throughout the dimming curve
- Four selectable dimming curves
- DMX and Manual control, with UFI port for optional wi-fi control dongle



LEDNIT131

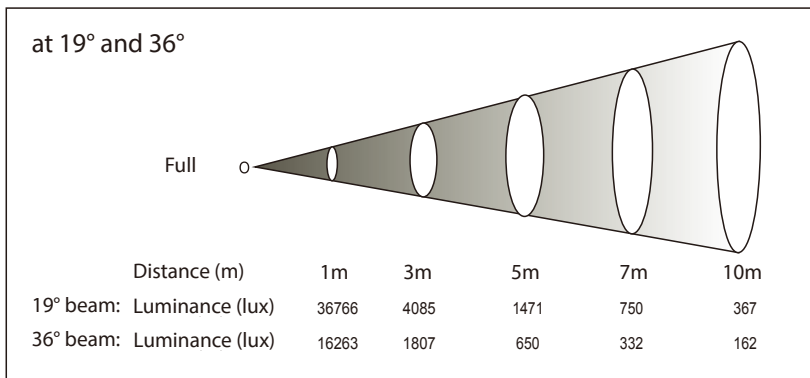
SPECIFICATIONS

Light Source: 1 x 50W 3500K Warm White LED
 Output at 19°: 4,085 lux @ 3 meters
 Strobe: 0 - 30 Hz
 Cooling: Auto-sensing noiseless fan
 Control modes: DMX, Manual, optional UFI
 Built-in Programs: Yes
 Mains: 100 - 240 VAC, 50/60 Hz
 Power connections: IEC power In/Out
 Data connections: 5-pin XLR In/Out for DMX Matte
 Finish: black
 Dimensions: 480 x 235 x 381 mm

Zoom Range: 19° ~ 36°
 Output at 36°: 1,807 lux @ 3 meters
 Dimming: 0-100% dimming
 4 selectable dimming curves
 DMX Channels: 1 / 3
 Menu: 4 digit LED menu with touch buttons
 Power: 62W
 Fuse: T1A 250V
 Housing: Aluminum
 IP rating: IP20
 Weight: 4.2 KG

Gobo: D size (53.3mm outer/ 43mm inner / 2mm max thickness)

PHOTOMETRICS



Channel Allocation

	1-CH	3-CH
1	Dimmer	Dimmer
2		Strobe
3		Dimmer curve